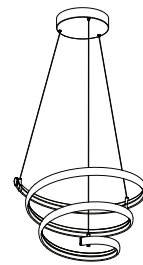




Assembly and Installation Instructions for Model

10005PN



CAUTION - RISK OF FIRE

Installation of this fixture should be done by a licensed electrician or by a person familiar with local electrical codes and the construction and operation of this fixture.

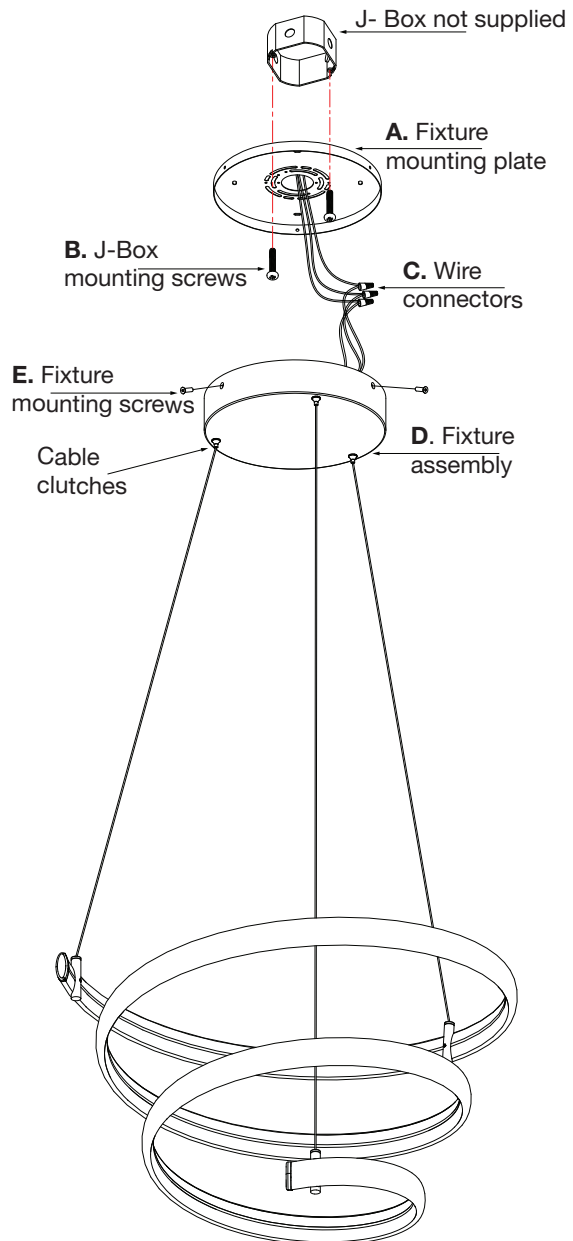
Warning please make sure the electrical breaker is shut off before commencing with this installation

Read and familiarize yourself with these instructions before commencing

This fixture is certified for ceiling mounting only and is suitable for Damp locations and dimmable with most dimmers.

Supplied with a 12v D/C LED panel with driver mounted within the canopy.

Package Contents		
Part	Description	Qty
A	Mounting plate	1
B	Junction-Box mounting screws	2
C	Electrical wire connectors	3
D	Fixture assembly	1
E	Fixture screws	2



Installing the fixture *please ensure the electrical breaker is switched off before commencing*

- 1 Attach the supplied Mounting plate (A) with the two supplied mounting bolts (B) to the Junction-Box.
- 2 Remove the Fixture assembly (D) from its packaging and gently stretch the Fixture assembly to its desired shape.
- 3 Measure the height required and by pulling gently on the cable from the top of the canopy set the approximate height required leaving at least 6" of cable free for the fine adjustment and coil the balance of the cable with wire ties.
- 4 Connect the supply wires to the fixture wires using the supplied Electrical wire connectors (C). White supply wire to the White fixture wire, Black supply wire to Black fixture wire and the ground Bare Copper or Green wire to the Green fixture wire. Once the electrical wire connectors are securely fastened it is recommended to tape these connectors with electrical tape.
- 5 Attach the Fixture Assembly (D) to the Fixture mounting bracket (A) and secure with supplied Fixture screws (E).
- 6 Once the fixture is secured to the canopy, adjust the height by releasing the Cable clutches by depressing the clutch which will release the excess cable. To shorten the cable gently push the cable into the Cable clutches.
- 6 Switch on the electrical breaker switch and your new fixture is ready for many years of trouble free use